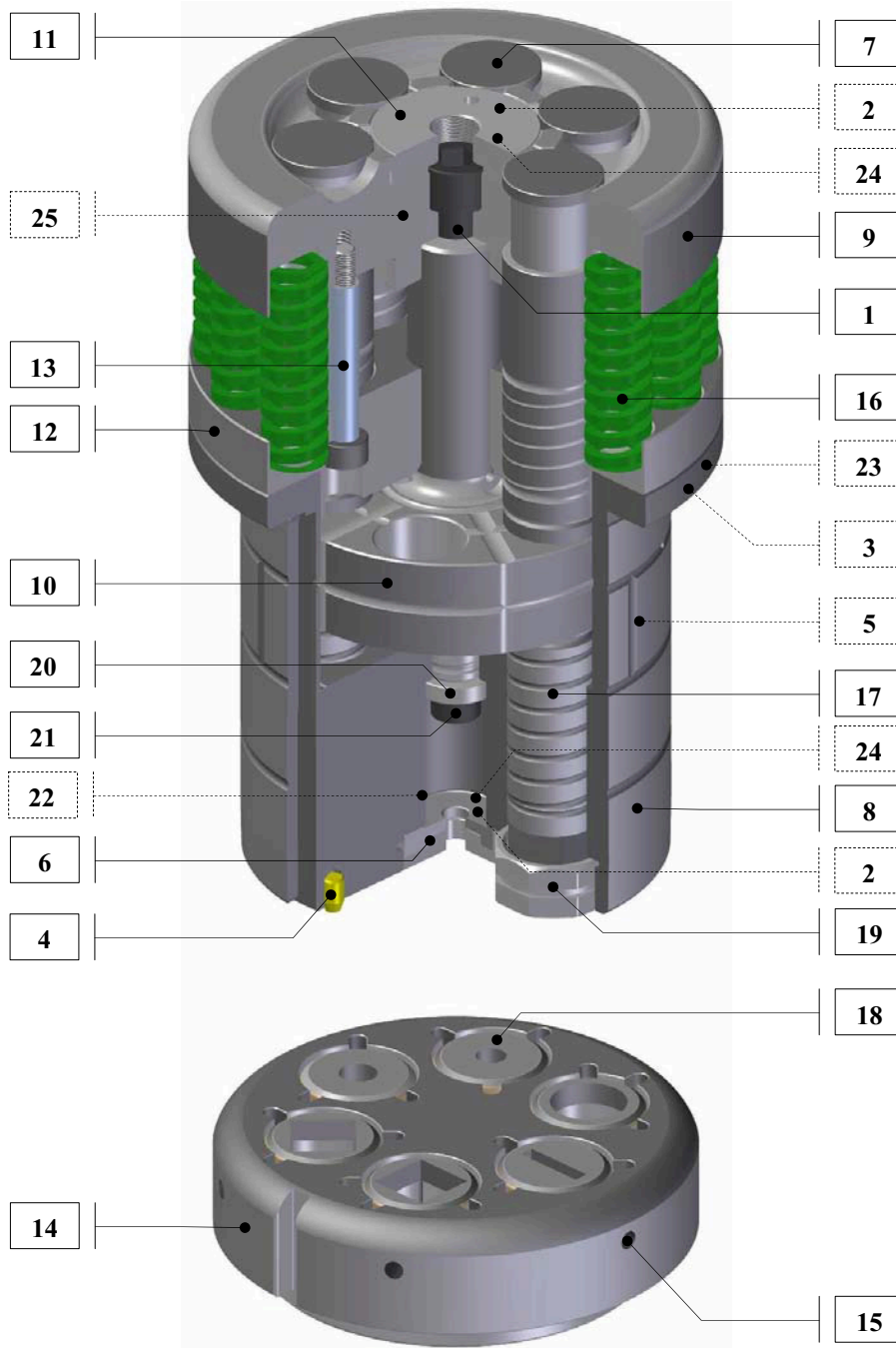




MULTIMATRIX 6/24 N

SPARE PARTS REFERENCE CODES



POS.	CODE	DESCRIPTION
1	FAAI8000	Screw
2	A0802705.145	Pin
3	A0802705.159	Pin
4	A4204826.239	Push Rod
5	FAAIEZ00	Reference Pin
6	FAAITV00	Stripper Lock Ring Nut
7	FAAIAB00	Ram
8	FAAIAF00	Guide
9	FAAIAM00	Ram Guide
10	FAAIAS00	Punch Bearing
11	FAAIED00	Ram Lock Ring Nut
12	FAAIER00	Pin Guide
13	A0100805.059	Screw
14	FAAIEF00	Die Holder
15	A0201000.048	Pinch
16	A0903323.358	Spring
17	---	Punch
18	---	Die
19	---	Stripper
20	FAAKES00	Washer
21	A0100100.066	Screw
22	A0201000.032	Pinch
23	A0201000.294	Pinch
24	A0903200.134	Spring
25	A0100100.051	Screw
---	FAAITZ00	Stripper Opening Tool
---	FA95EZ00	Brass Ram
---	A1103929.266	Screwdriver
---	F248PU00	Jar of Grease